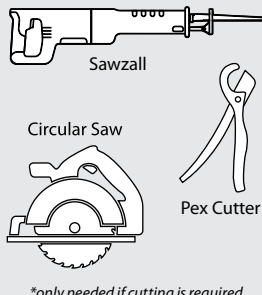
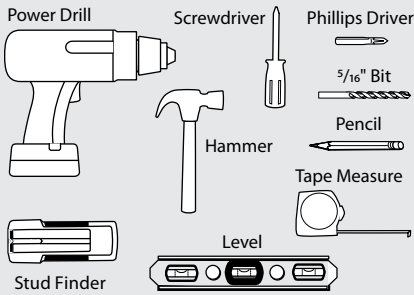


REQUIRED TOOLS

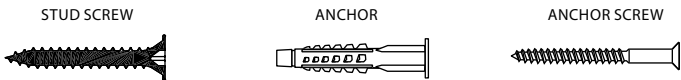
CUTTING TOOLS*



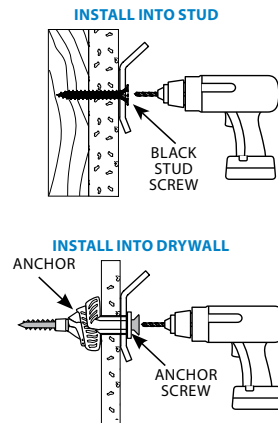
For complete installation information including videos to watch and learn visit: organizedliving.com/installation/select

RAIL (R)

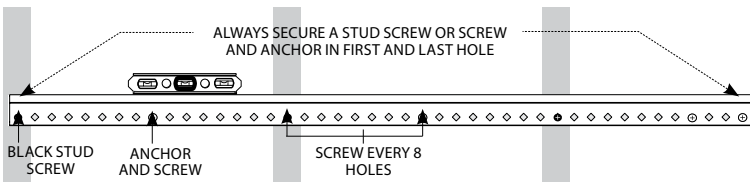
The Rail is the primary support component of the Select system. Mounting the Rail level and secure is the most important step. The standard height for the Rail is 75" from the floor.



1. Measure 75" from the floor and mark the wall.
2. Use a stud finder to lightly mark the beginning and end of the first 2 studs closest to the height mark.
3. Position the Rail (R) on the wall at the correct height. At the first stud, drive a black Stud Screw through the Rail in the center of the diamond hole.
4. While leveling the Rail, drive a black Stud Screw through the Rail into the second stud.
5. Use the stud finder to mark the diamond holes over the remaining studs. Drive a black Stud Screw into each of the remaining studs where marked.
6. Use a 5/16" drill bit and drill a hole for the Anchor in the first and last hole of the Rail. Tap in plastic Anchor and then drive Anchor Screw into each end hole. **IMPORTANT:** Allow screw to turn 6-8 rotations after it's flush with the Rail so the Anchor tightens into a ball behind the drywall.
7. Continue to drill and insert Anchor and Anchor Screw in the center hole between every stud.

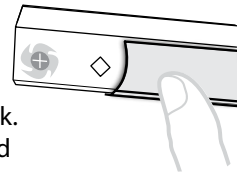


See diagram below for proper Stud Screw and Anchor and Anchor Screw placement.



Note: If your Select design includes 2 Rails, repeat these steps while holding the second Rail flush with the first Rail and level.

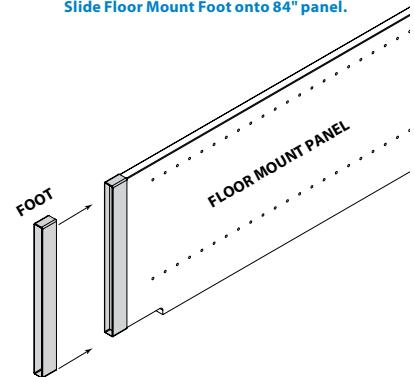
8. Review your design to determine if the second Rail is required. Most likely, your second Rail will need to be cut. If so, measure and cut the Rail accordingly using a hacksaw, or sawzall.
9. Place Cover on the Rail by aligning the Cover slot and Rail edge. Press firmly upwards. Start at one end and slide your hands the entire length of the Cover and back. If you need to cut the Rail Cover, measure and cut using pex cutter or heavy-duty scissors.



PANELS (LS, RS, OR TP)

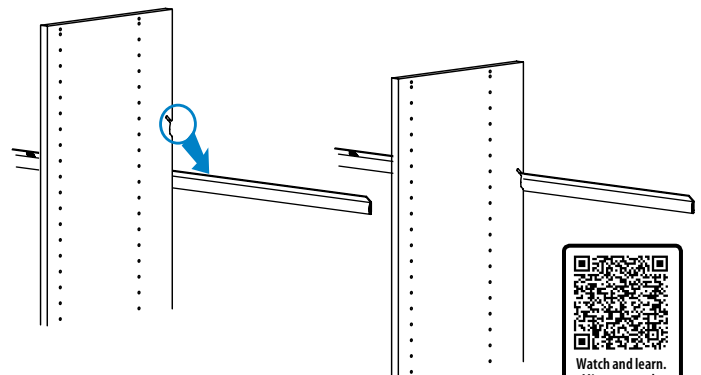
1. Lean the Panels against the wall under the Rail at the approximate locations per your design. **Note:** Panel labels on the design print-out match the product label to ensure proper panel type and location. Panels are indicated with LS for Stop Left Panel, RS for Stop Right Panel, and T for Thru Panel.
2. Determine the location and quantity of Fixed Shelves (F) indicated with an F on the design print out. Every Fixed Shelf requires 2 Fixed Shelf Bolts per Panel. Use a #2 driver, adjust your drill clutch to 4 or 5, so as to not strip the hole and insert the Fixed Shelf Bolts in the correct locations.
3. If installing Select Easy Floor Mount, slide the Floor Mount Foot over the bottom of the 84" panel.

Slide Floor Mount Foot onto 84" panel.



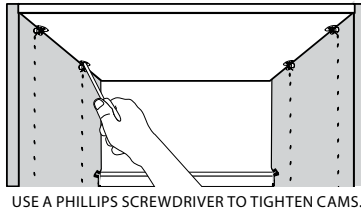
4. Hang the Panels on the Rail at approximately the correct location.

HANG VERTICAL PANEL ON RAIL



SHELVES (F OR M)

1. Install the Fixed Shelves (F) in the correct locations. The Panels will need to be shifted side to side until the Shelf slides onto the Fixed Bolts. Once the Shelves are resting on the bolts, use a Phillips screwdriver to tighten each cam.



2. Reference your design and insert all Movable Shelf Pins and Movable Shelves (M).
3. If your design requires a cut section, the Movable Shelves need to be scribed and cut.

IMPORTANT: For detailed cutting instructions, watch the Select installation how to video:

organizedliving.com/installation/select

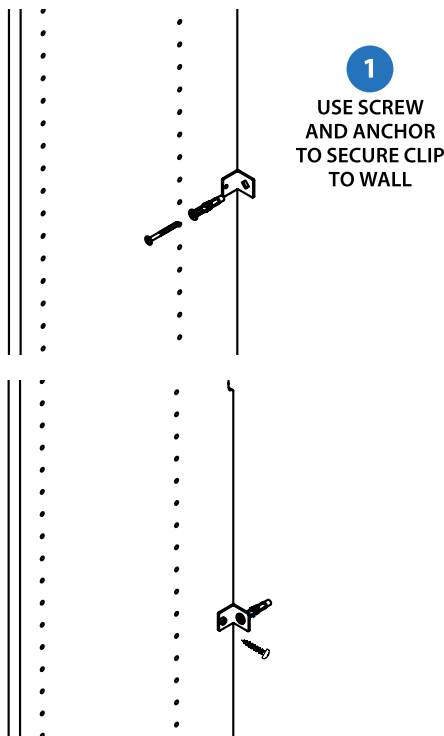
NOTE: Field Cut Covers to slide over the end of cut Shelves to hide uneven cuts are available.

4. Place the cut shelves on the correct pins. The shelf should fit snugly with minimal gaps.

PANEL CLIPS (PC)

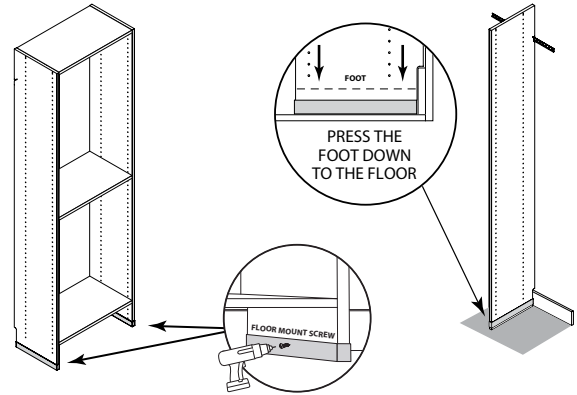
1. Add Panel Clips (PC) to all Panels on an open end and 72" Panels. The design print out will indicate which Panels require Panel Clips.
2. Use a level to plumb the Panels. Hold the Panel Clip against the wall and panel, then use a pencil to mark the diamond hole location.
3. Use a 5/16" drill bit to drill a hole through the drywall at the mark. Insert an Anchor through the Clip into the drywall. Use a #2 driver to drive the Screw into the Anchor and tighten. Fully engage the Anchor by drilling past when the Screw hits the Clip.
4. Drive small Panel Clip Screw through Clip into the Panel.

SECURE PANEL TO WALL WITH PANEL CLIP



ADJUST FLOOR MOUNT FOOT

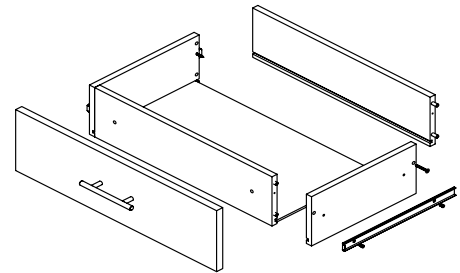
1. Once the panels are secured in place, pull the foot to the floor.
2. Move both the front and back until both are setting on the floor.
3. If needed, add one floor mount screw to the inside of the foot.



DRAWERS

If the design to install includes Drawers, watch the Select Drawer Assembly and Installation video:

organizedliving.com/installation/select



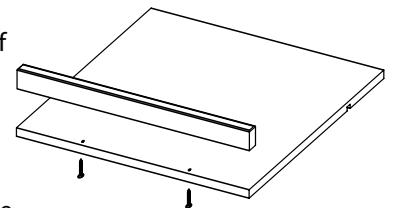
CLOTHES RODS (CR)

1. Add Rod Flanges in the correct locations per the design. Insert the two pins into the corresponding holes and press firmly.
2. Add the Clothes Rods (CR).
3. If the Clothes Rods need to be cut, measure and cut the rods to length. Then insert them onto the Rod Flanges.



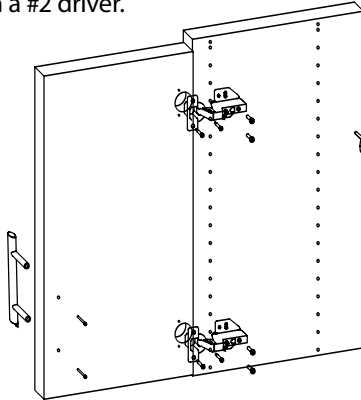
SHOE SHELVES (SS)

1. Align the pre-drilled Shoe Shelf holes with the Wood Shoe Fence holes.
2. Drive the included wood screws through the Shoe Shelf into the Wood Shoe Fence. To avoid stripping, adjust your drill clutch to position 4 or 5.
3. Place the Movable Shelf Pins in correct front hole locations. Then insert the back Movable Shelf Pins, 4 holes higher than the front.
4. Place the Shoe Shelf on pins with the back pin resting in pin slot.



DOORS

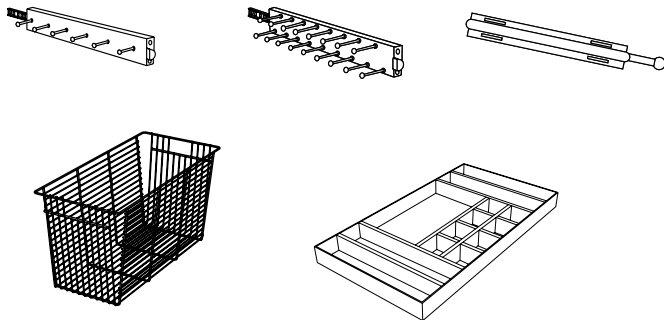
1. Push the hinge cup plate into the large hole in the door and align the screw holes with the small, pre drilled holes.
2. Insert the two small woodscrews through the hinge plate cup holes, into the door. Tighten with a #2 driver.
3. Align hinge plate euroscrews with the second and third holes down from the top Fixed Shelf of the cabinet section. Use a #2 driver to insert screws into panel. Repeat for second hinge.



CHROME BASKETS AND OTHER ACCESSORIES

If the design to install includes Chrome Baskets, Jewelry Trays, Tie Rack, Belt Rack or Valet Rod, watch the Select Accessories Installation video:

organizedliving.com/installation/select



Contact Us.

Phone: 1-888-674-5484 8 am-5 pm EST Mon-Fri.
 Email: customerservice@organizedliving.com
organizedliving.com/installation

