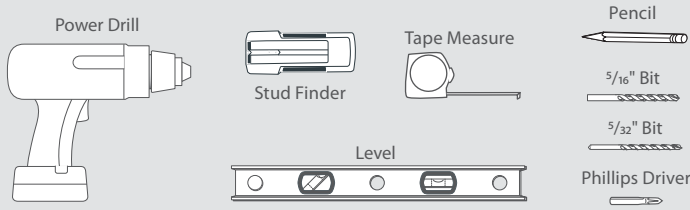


INSTALLATION GUIDELINES

Choose the best installation for your needs.

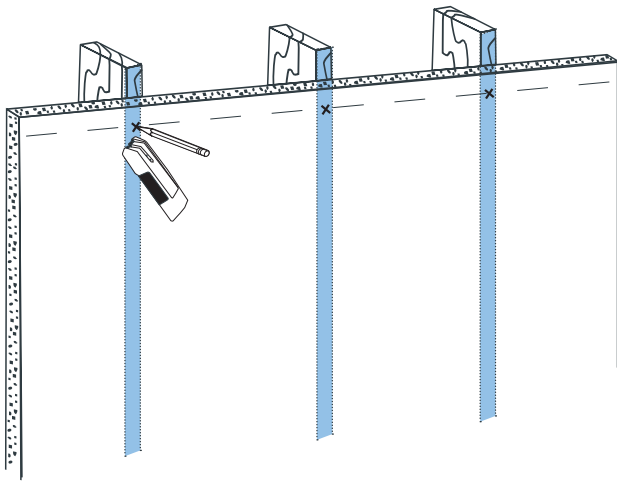
The 2' x 4' Wall Grid mounts vertically or horizontally along the wall at any height. Once the Grid is secure, the individual organizers simply lock into place on the Grid without any additional hardware or tools. Activity Organizers can also mount directly to the wall using the included hardware.

TOOLS YOU MAY NEED

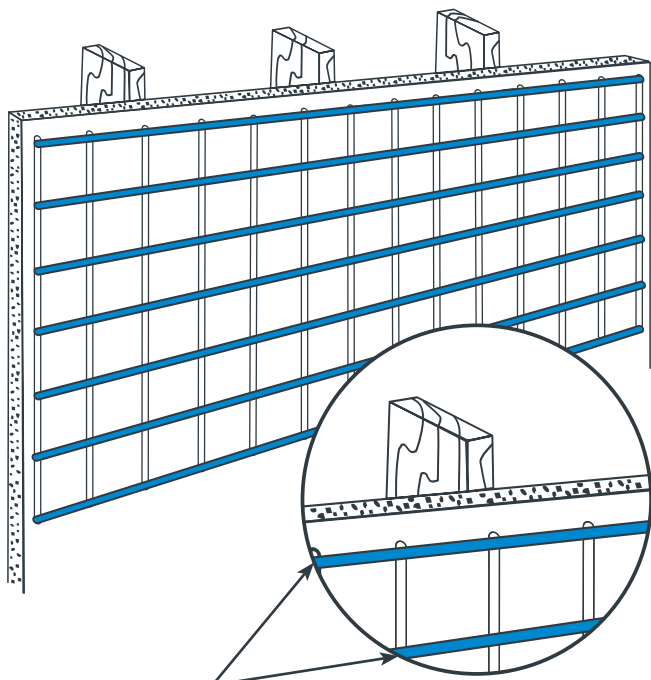


GRID INSTALLATION

1. Using level and pencil, draw a level line at the preferred height for top of Grid. With stud finder and pencil, mark center of each stud along that level line.

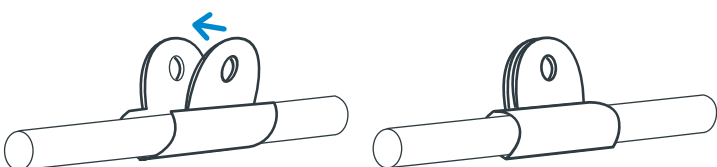


2. Whether the Grid will hang vertically or horizontally, the Grid's horizontal wires should be facing out, away from the wall.

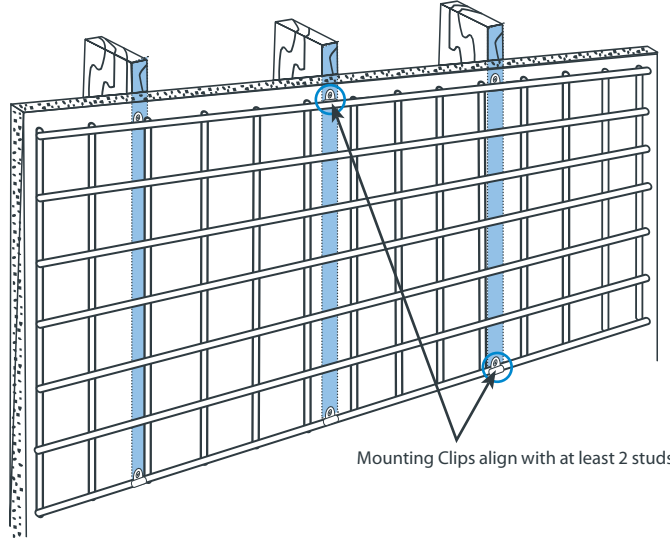


Horizontal wires face out away from wall.

3. Attach the Mounting Clips on Grid by opening and pinching the Clip onto the grid wire.

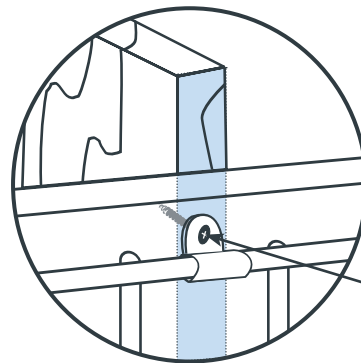


4. Place Grid against the wall. Mounting Clips should be evenly spaced on Grid and positioned on as many stud marks as possible — minimum of 2 studs. If only one stud is available, position the center of the Grid at the stud.



Mounting Clips align with at least 2 studs.

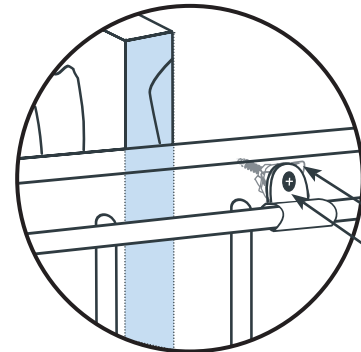
5. Install Mounting Clips to wall.



Stud Screw Method:

Use when Clip installs into Stud
Drive Screw through Clip to secure Grid to wall. If necessary, pre-drill hole in wall at stud with a 5/32" drill bit.

Screw



Anchor and Anchor Screw Method:

Use when Clip position doesn't align with a Stud
Drill hole in wall using a 5/16" drill bit. Insert Anchor into hole. Drive Screw through Clip into Anchor.

Anchor

Screw

It's recommended to mount the Grid on the wall with 2 or more Mounting Clips installed into studs. If you can only position the Grid with Mounting Clips installing into 1 stud, use the Stud Screw Method to secure the Clip then use the Anchor method for the remaining Clips. All 6 Mounting Clips should be used to secure the Grid safely and securely to the wall.

BRACKETS INSTALLATION TO GRID

Align top of Bracket with horizontal Grid wire. Pull Bracket down and snap in place on bottom Grid wire.

